

Double decker assisted bicycle rack

SKU: MUE-16-08

Double bicycle rack ideal for space-saving. Patent pending design with pneumatically assisted folding system to assist the user in lifting the bicycle to the upper position.

Measurements: **Weight:** **Capacity:**
 A: 0.57 m 55kg approx. 2 bikes
 B: 1.83 m
 C: 2.8 m

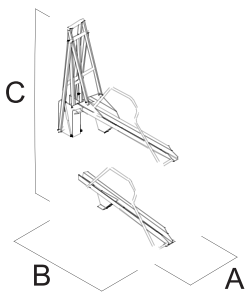
Structure:
 Tubular steel and steel sheet

Finish:
 Powder-coating suitable for exterior use

Joints:
 Micro-welded.

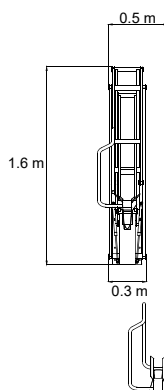
Specific characteristics:
 -Patent-pending design with pneumatically assisted folding system
 -Easy to install
 -Can be disassembled for ease of transportation
 -Resistant to vandalism (low gauge steel and resistant joints to avoid deformation)
 -Minimal maintenance required
 -Colour options available

Mount:
 Fixing to a wall using expansive anchor bolts.

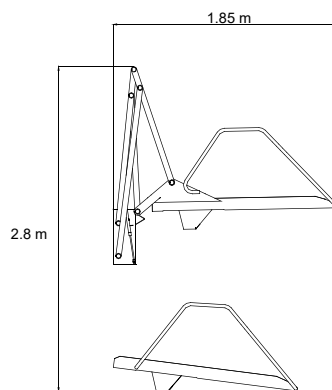


Minimum distribution

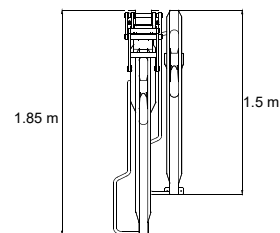
FRONT VIEW



SIDE VIEW



TOP VIEW

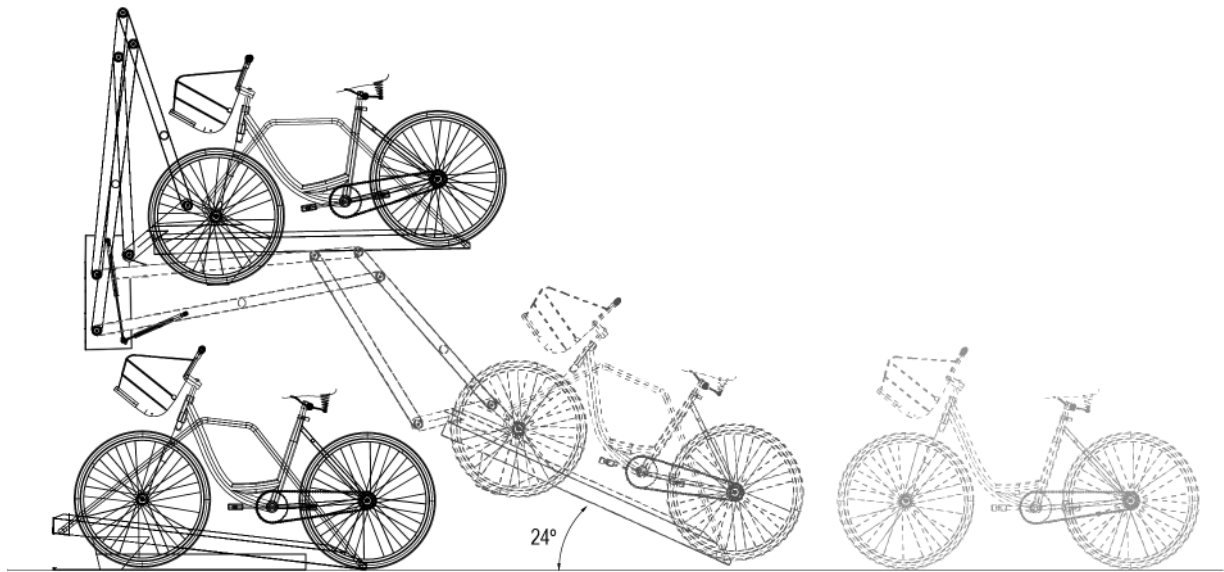


2017
 European Product Design Award
 Brussels, Belgium
 Bronze Award
 Designs for social impact category



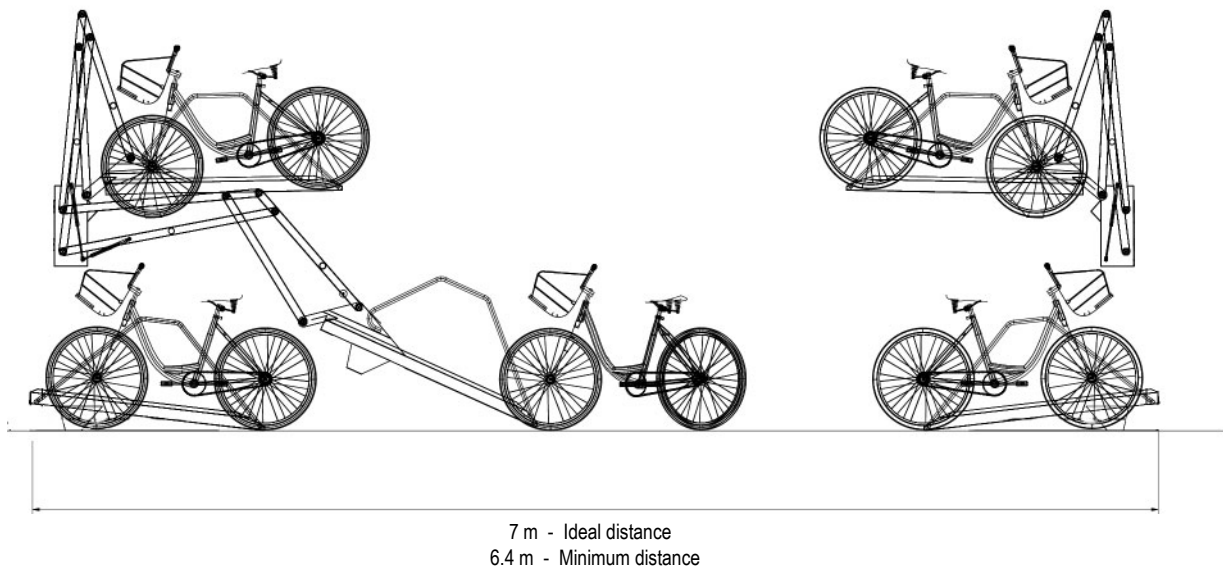
2018
 6th Iberoamerican Design Biennial
 Madrid, Spain
 Honourable Mention Design and the City category

Double decker assisted bicycle rack



Detail of use

The upper platform of the bicycle rack lowers to the ground at an angle of 24° , allowing users with differing physical capabilities to wheel their bicycle on with minimum effort (e.g. elderly users, children) and then lift it to the upper position aided by the pneumatic folding system. It is not necessary to lift the bike at all.



IMPORTANT

Copyright © 2017-2020 Diseño Neko S.A. de C.V. All rights reserved.

All products, designs and trademarks presented in this document are intellectual property belonging to Diseño Neko S.A. de C.V. and are registered at the Mexican Institute of Intellectual Property (IMPI) and the European Union Intellectual Property Office (EUIPO).

The double-decker assisted bicycle rack is Patent Pending.

Distribution or reproduction of any information contained in this document is prohibited without the express written consent of the author, Diseño Neko S.A. de C.V. (Mexico).